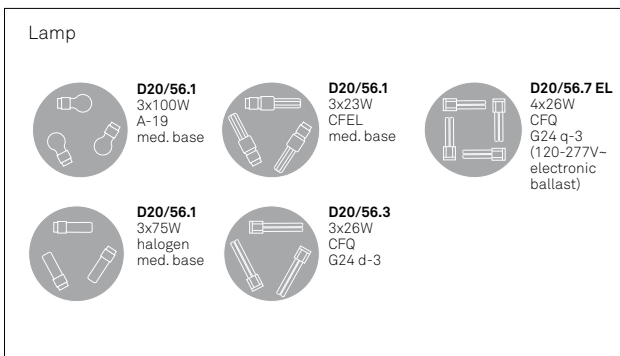
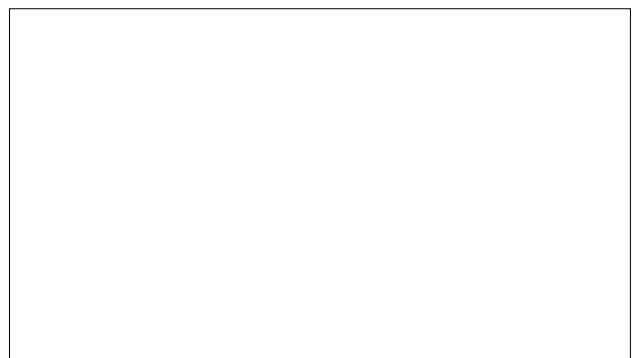
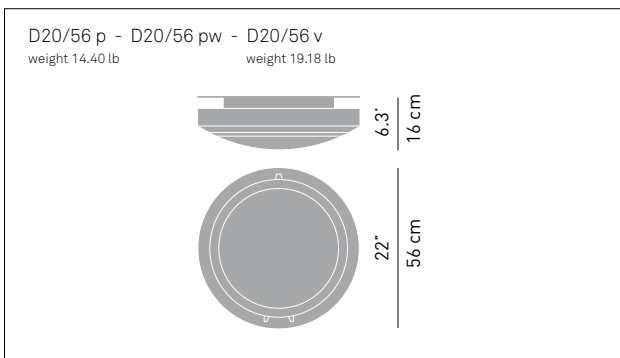


METROPOLI

alberto meda, paolo rizzato, riccardo sarfatti

D20



Materials
die-cast aluminium body moulded glass or polycarbonate diffuser

Structure finishes
 white painted alu polished

Diffuser finishes
 opaline polycarbonate prismatic glass

Note
incandescent and halogen versions are only with glass diffuser
"P" version is suitable for damp locations. "P" version with fluo optics and "PW" version are suitable for wet locations

