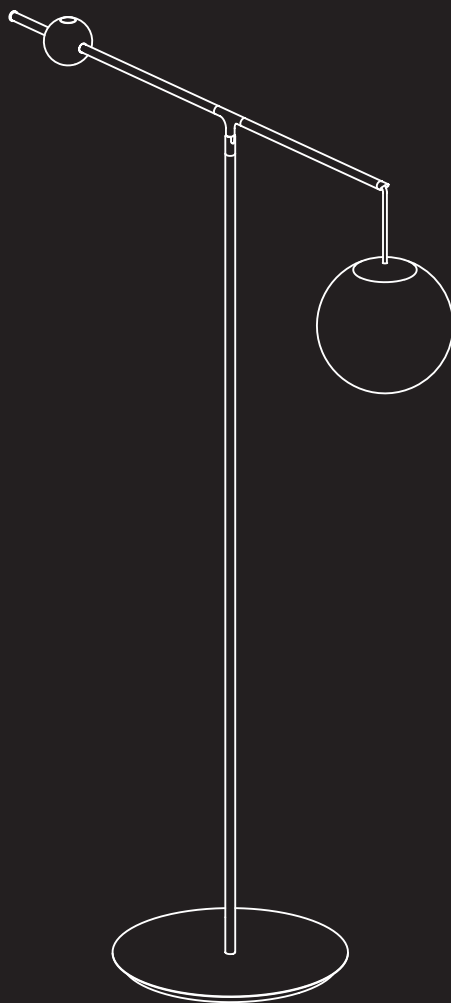


MALAMATA FLOOR

design Schulab



**LUCE
PLAN**

B01

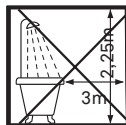


B01T22

01



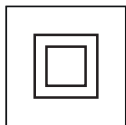
02



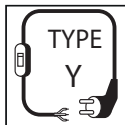
03



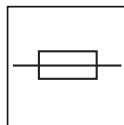
12



18



28



38



50



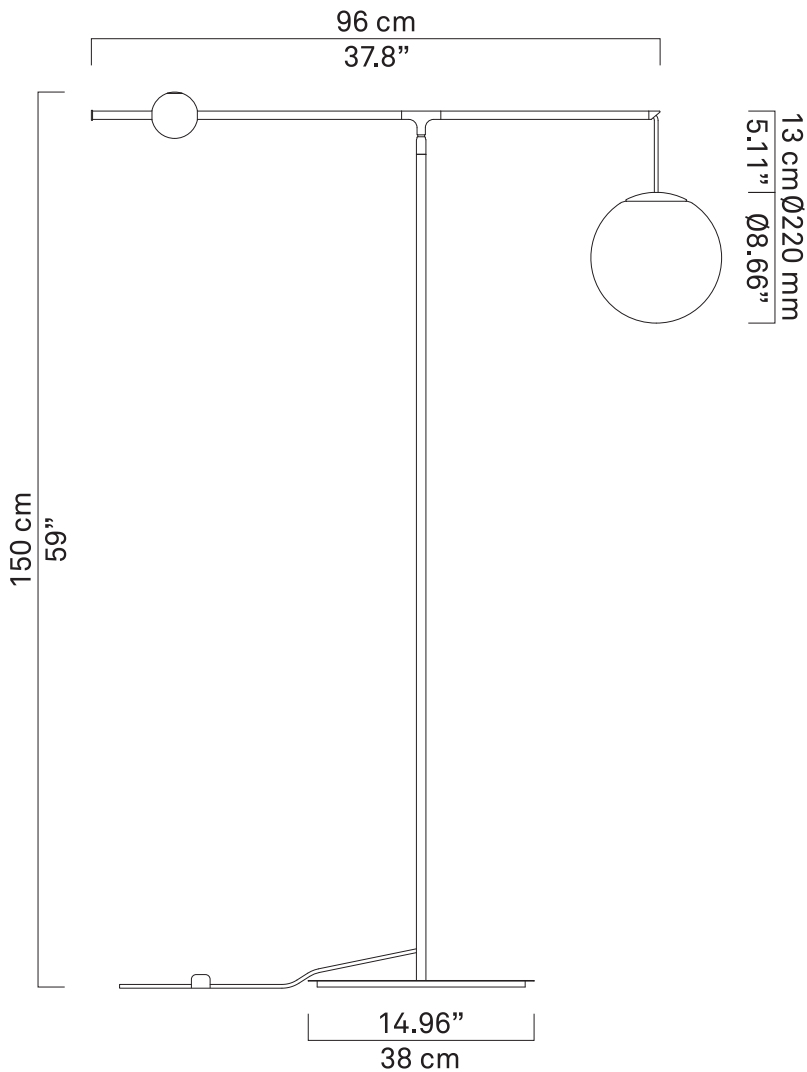
B01T22



a



b



kg 15 kg

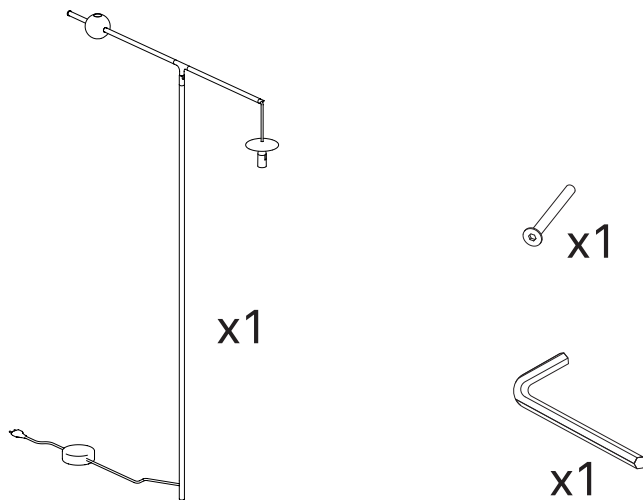
lb 33 lb



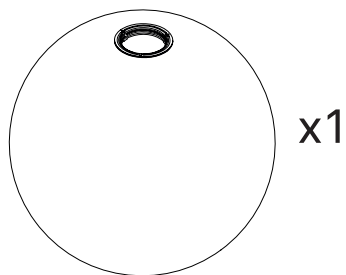
LED E14
max Ø40 mm
max Ø1.57"

B01T22 + B01/1 + B01/3

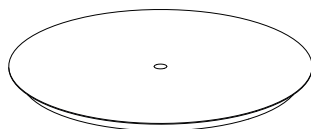
B01T22



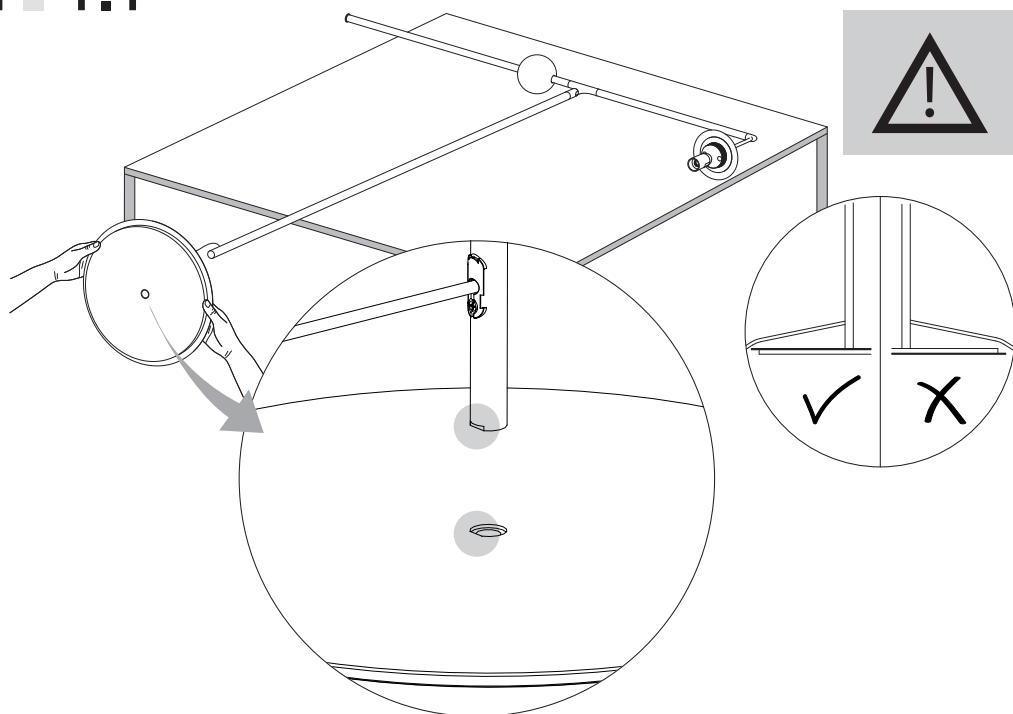
B01/1 - Ø220 mm / Ø8.66"



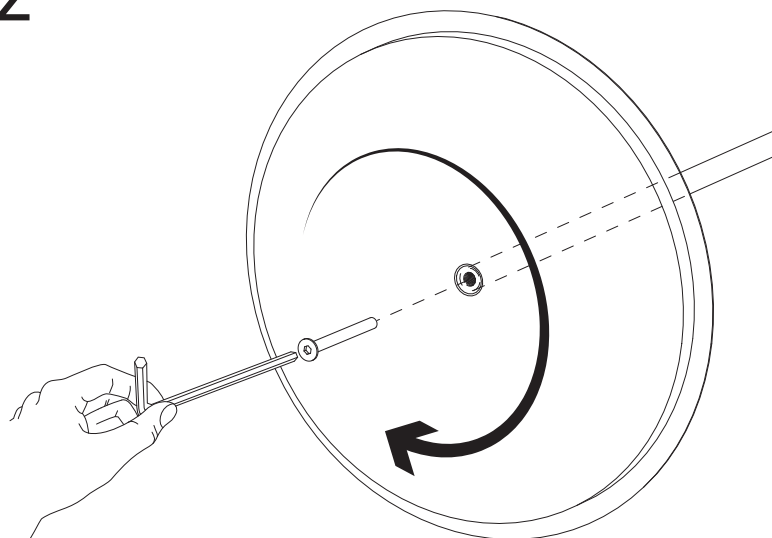
B01/3



1 | 1.1

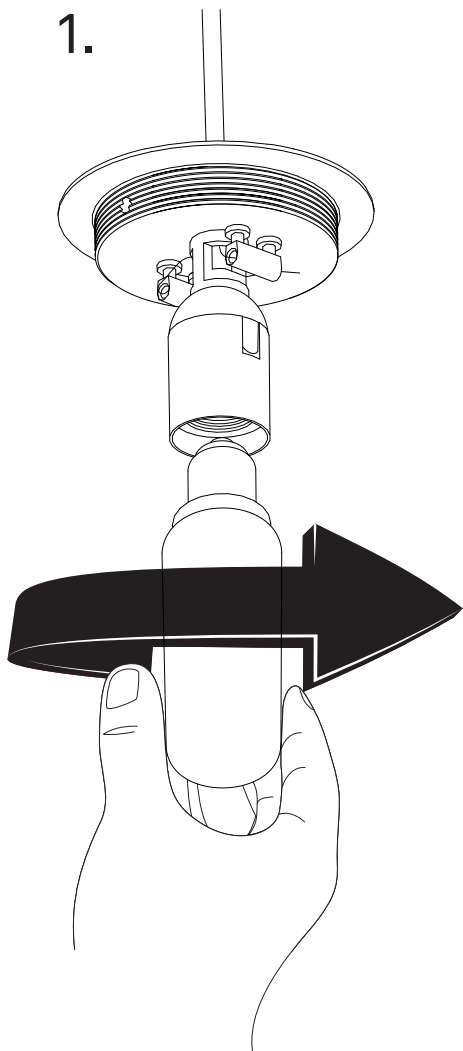


1.2

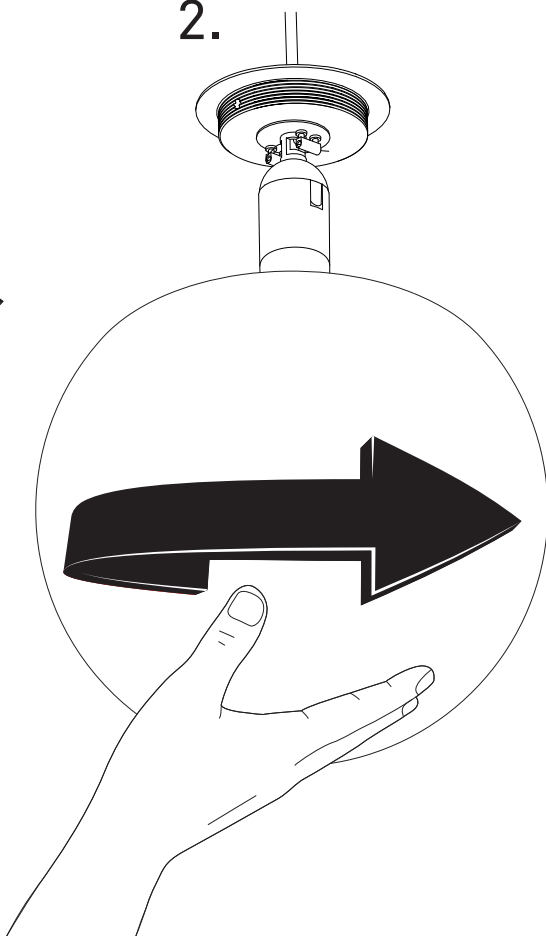


2

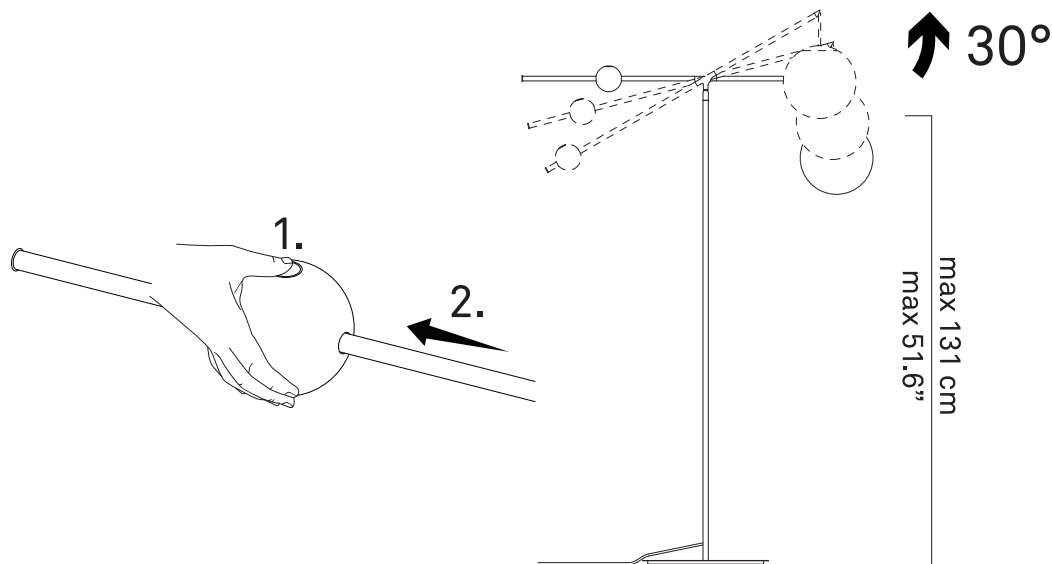
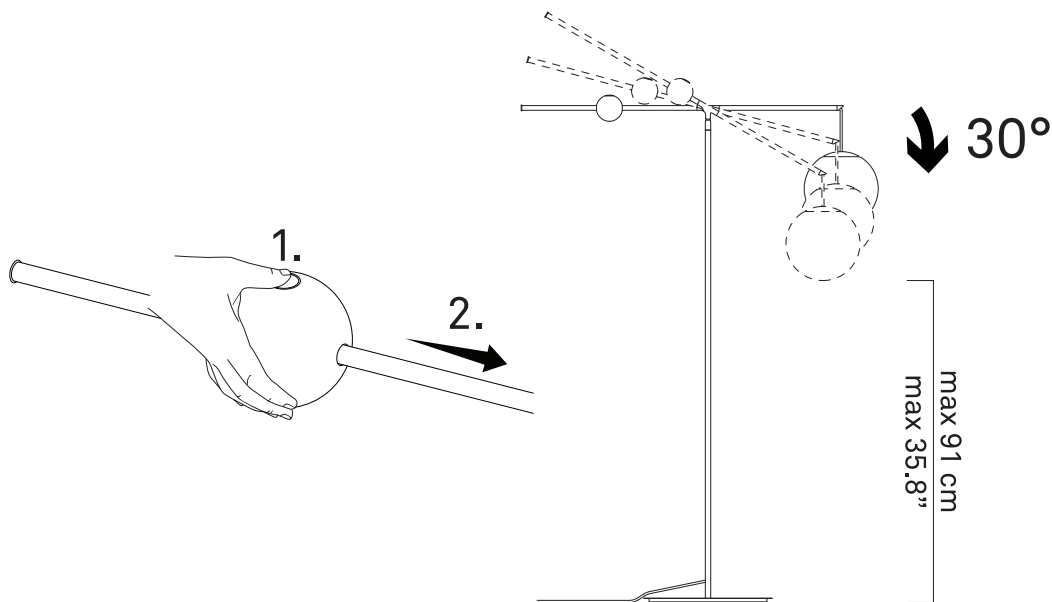
1.

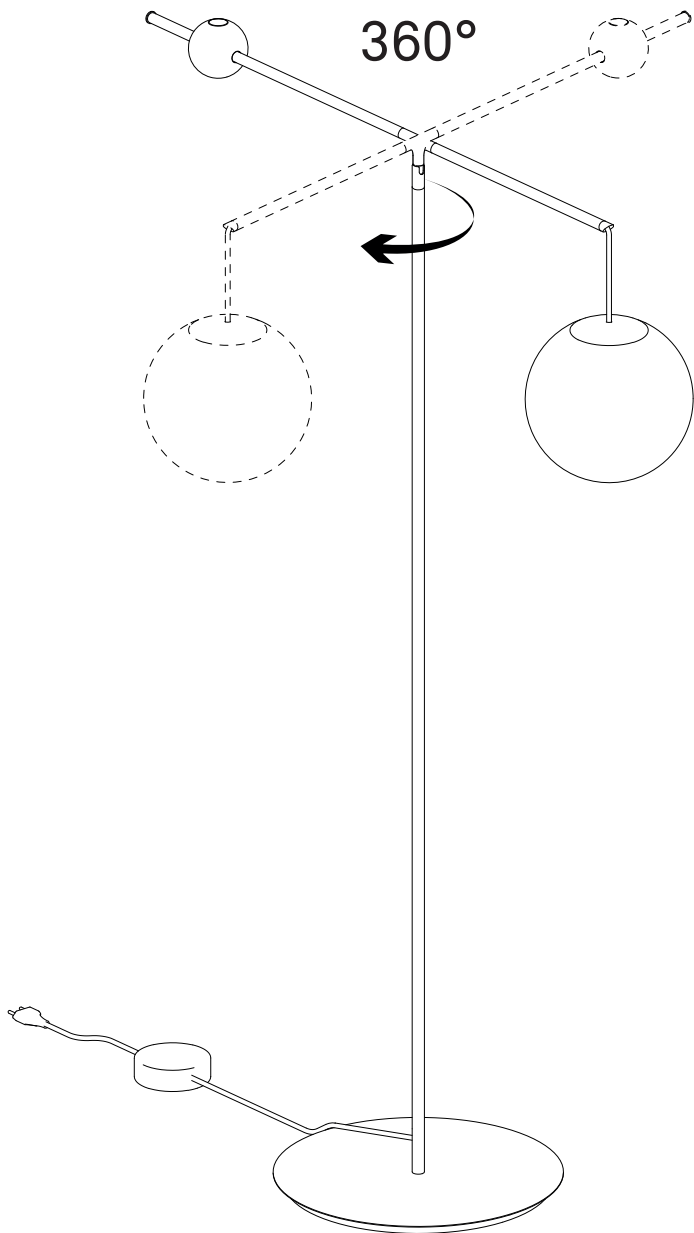


2.

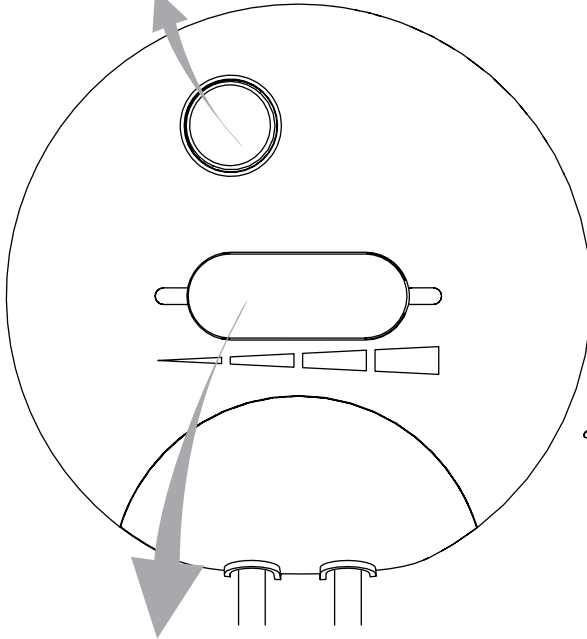
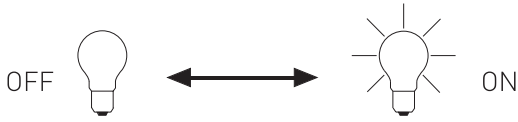


3

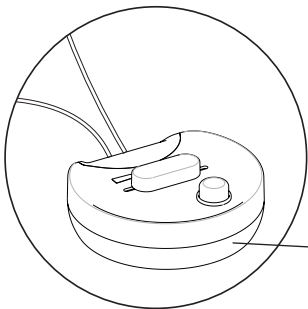


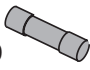


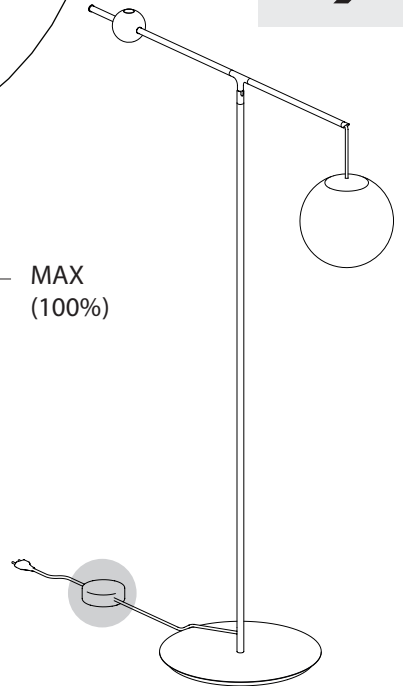
4



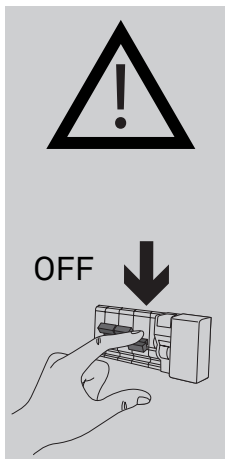
28



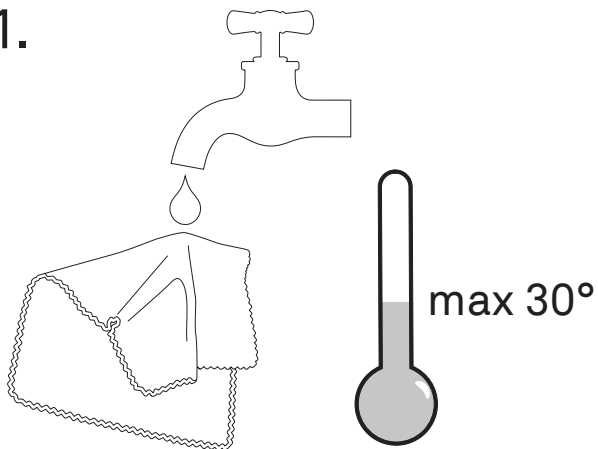

5x20
T 2,5A H 250V



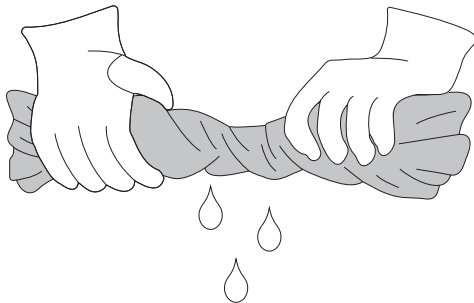
5



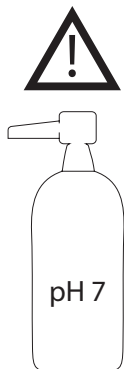
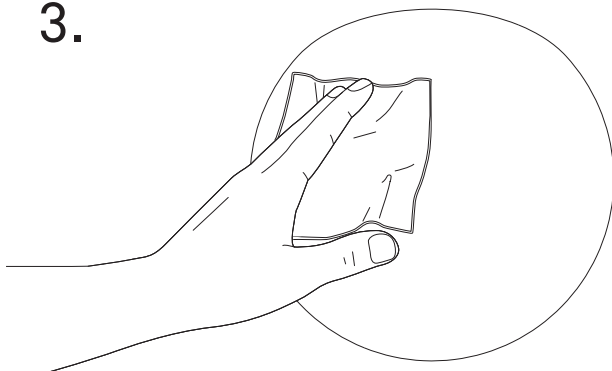
1.



2.



3.





www.luceplan.com

B010IA002

120620003.01